

RGV SERIES
105°C Long Life.
◆ FEATURES

- Load Life : 105°C 2000 hours.
- Reflow soldering is available.
- Available for high density mounting.


◆ SPECIFICATIONS

Items	Characteristics																														
Operating Temperature Range	-40~+105°C																														
Rated Voltage Range	6.3~100V.DC																														
Capacitance Tolerance	±20%(20°C, 120Hz)																														
Leakage Current(MAX)	I=0.01CV or 3μA whichever is greater. (After 2 minutes application of rated voltage) I=Leakage Current(μA) C=Nominal Capacitance(μF) V=Rated Voltage(V)																														
Dissipation Factor(MAX)	<table border="1"> <tr> <td>Rated Voltage (V)</td> <td>6.3</td> <td>10</td> <td>16</td> <td>25</td> <td>35</td> <td>50</td> <td>63</td> <td>100</td> <td>(20°C, 120Hz)</td> </tr> <tr> <td>tanδ</td> <td>0.30</td> <td>0.24</td> <td>0.20</td> <td>0.16</td> <td>0.14</td> <td>0.14</td> <td>0.12</td> <td>0.10</td> <td></td> </tr> </table>	Rated Voltage (V)	6.3	10	16	25	35	50	63	100	(20°C, 120Hz)	tanδ	0.30	0.24	0.20	0.16	0.14	0.14	0.12	0.10											
Rated Voltage (V)	6.3	10	16	25	35	50	63	100	(20°C, 120Hz)																						
tanδ	0.30	0.24	0.20	0.16	0.14	0.14	0.12	0.10																							
Load Life	<p>After applying rated voltage with max ripple current for 2000 hrs at 105°C, the capacitors shall meet the following requirements.</p> <table border="1"> <tr> <td>Capacitance Change</td> <td>Within ±30% of the initial value. (φ8,10:±25%)</td> </tr> <tr> <td>Dissipation Factor</td> <td>Not more than 300% of the specified value. (φ8,10:200%)</td> </tr> <tr> <td>Leakage Current</td> <td>Not more than the specified value.</td> </tr> </table>	Capacitance Change	Within ±30% of the initial value. (φ8,10:±25%)	Dissipation Factor	Not more than 300% of the specified value. (φ8,10:200%)	Leakage Current	Not more than the specified value.																								
Capacitance Change	Within ±30% of the initial value. (φ8,10:±25%)																														
Dissipation Factor	Not more than 300% of the specified value. (φ8,10:200%)																														
Leakage Current	Not more than the specified value.																														
Low Temperature Stability Impedance Ratio(MAX)	<table border="1"> <tr> <td>Rated Voltage (V)</td> <td>6.3</td> <td>10</td> <td>16</td> <td>25</td> <td>35</td> <td>50</td> <td>63</td> <td>100</td> <td>(120Hz)</td> </tr> <tr> <td>Z(-25°C)/Z(20°C)</td> <td>6</td> <td>4</td> <td>4</td> <td>3</td> <td>2</td> <td>2</td> <td>2</td> <td>2</td> <td></td> </tr> <tr> <td>Z(-40°C)/Z(20°C)</td> <td>12</td> <td>10</td> <td>8</td> <td>6</td> <td>4</td> <td>4</td> <td>5</td> <td>5</td> <td></td> </tr> </table>	Rated Voltage (V)	6.3	10	16	25	35	50	63	100	(120Hz)	Z(-25°C)/Z(20°C)	6	4	4	3	2	2	2	2		Z(-40°C)/Z(20°C)	12	10	8	6	4	4	5	5	
Rated Voltage (V)	6.3	10	16	25	35	50	63	100	(120Hz)																						
Z(-25°C)/Z(20°C)	6	4	4	3	2	2	2	2																							
Z(-40°C)/Z(20°C)	12	10	8	6	4	4	5	5																							

◆ MULTIPLIER FOR RIPPLE CURRENT

(1) Frequency coefficient

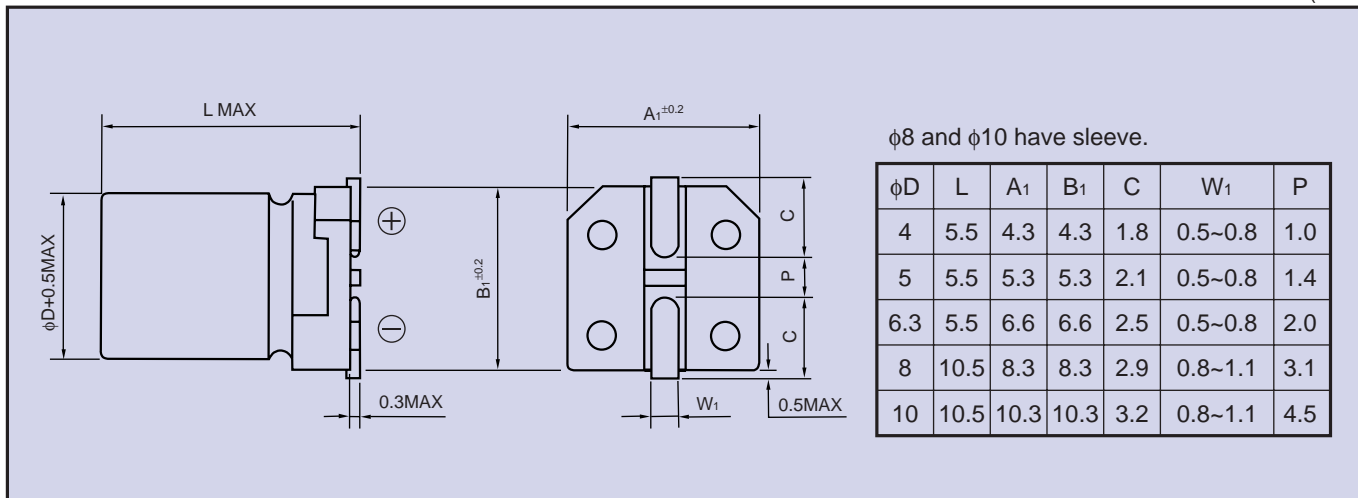
Frequency(Hz)	60(50)	120	500	1k	10k≤
0.1~47μF	0.8	1.0	1.20	1.30	1.50
100μ~1000μF	0.8	1.0	1.10	1.15	1.20

(2) Temperature coefficient

Ambient Temperature (°C)	105	85	65≥
Coefficient	1.0	1.7	2.1

◆ DIMENSIONS

(mm)


◆ STANDARD SIZE, MAX. PERMISSIBLE RIPPLE CURRENT

Size φDxL(mm), Ripple Current (mA r.m.s./105°C, 120Hz)

Cap(μF)	6.3 (0J)		10 (1A)		16 (1C)		25 (1E)		35 (1V)		50 (1H)		63 (1J)		100 (2A)	
	Size	Ripple	Size	Ripple	Size	Ripple	Size	Ripple	Size	Ripple	Size	Ripple	Size	Ripple	Size	Ripple
0.1											4x5.5	1.0				
0.22											4x5.5	2.0				
0.33											4x5.5	3.0				
0.47											4x5.5	4.0				
1											4x5.5	8.0				
2.2											4x5.5	11				
3.3											4x5.5	13				
4.7									4x5.5	14	5x5.5	18			8x10.5	55
10					4x5.5	20			5x5.5	24	6.3x5.5	28			8x10.5	65
22	4x5.5	23			5x5.5	31			6.3x5.5	46			8x10.5	55	10x10.5	90
33			5x5.5	34			6.3x5.5	48			8x10.5	135	8x10.5	115	10x10.5	135
47	5x5.5	37			6.3x5.5	56					8x10.5	155	8x10.5	120		
											10x10.5	180				
100	6.3x5.5	57					8x10.5	180	8x10.5	180	8x10.5	200				
											10x10.5	305	10x10.5	315		
220					8x10.5	185	8x10.5	190	10x10.5	360						
330			8x10.5	195	8x10.5	195	10x10.5	450								
470	8x10.5	210	8x10.5	210	8x10.5	230										
			10x10.5	440	10x10.5	460										
1000	10x10.5	480														

Case sizes 16x16.5 and 18x16.5 for specific capacitors, not listed in above, are also considered upon request. Please consult the availability.