

MXY SERIES

Low Profile with Horizontal Mounting

◆ FEATURES

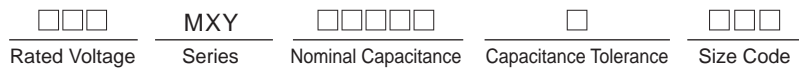
- Load Life : 105°C 3000 hours with horizontal mounting.
- Suitable for flat equipment design.



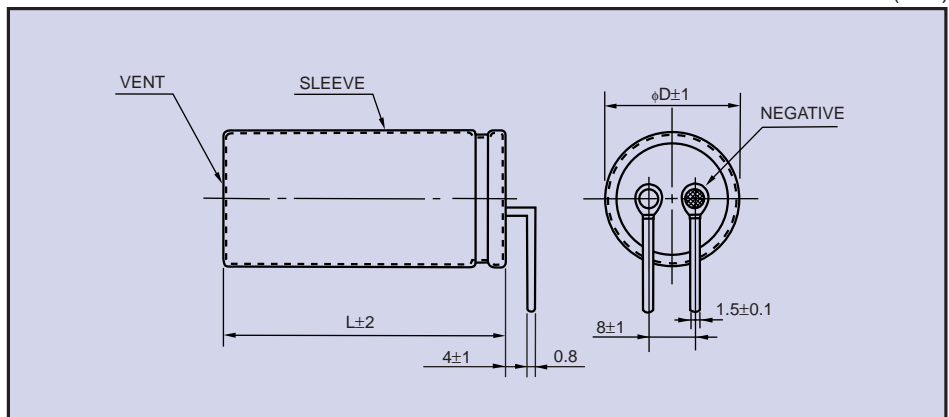
◆ SPECIFICATIONS

Items	Characteristics								
Operating Temperature Range	-25~+105°C								
Rated Voltage Range	160V~400V.DC								
Capacitance Tolerance	±20%(20°C, 120Hz)								
Leakage Current(MAX)	$I=3\sqrt{CV}$ (After 5 minutes application of rated voltage) I =Leakage Current(μA) V =Rated Voltage(V) C =Nominal Capacitance(μF)								
Dissipation Factor(MAX)	0.15(20°C, 120Hz)								
Impedance Ratio(MAX)	<table border="1"> <thead> <tr> <th>Rated Voltage (V)</th> <th>160~250</th> <th>315~400</th> <th>(120Hz)</th> </tr> </thead> <tbody> <tr> <td>Z(-25°C)/Z(20°C)</td> <td>3</td> <td>8</td> <td></td> </tr> </tbody> </table>	Rated Voltage (V)	160~250	315~400	(120Hz)	Z(-25°C)/Z(20°C)	3	8	
Rated Voltage (V)	160~250	315~400	(120Hz)						
Z(-25°C)/Z(20°C)	3	8							
Load Life	<p>After applying rated voltage with max. ripple current for 3000hrs at 105°C, the capacitors shall meet the following requirements.</p> <table border="1"> <tbody> <tr> <td>Capacitance Change</td> <td>Within ±20% of the initial value.</td> </tr> <tr> <td>Dissipation Factor</td> <td>Not more than 200% of the specified value.</td> </tr> <tr> <td>Leakage Current</td> <td>Not more than the specified value.</td> </tr> </tbody> </table>	Capacitance Change	Within ±20% of the initial value.	Dissipation Factor	Not more than 200% of the specified value.	Leakage Current	Not more than the specified value.		
Capacitance Change	Within ±20% of the initial value.								
Dissipation Factor	Not more than 200% of the specified value.								
Leakage Current	Not more than the specified value.								

◆ EXPLANATION OF PART NUMBER



◆ DIMENSIONS



◆ SIZE CODE

L \ φD	20	22	25
30	Z30	A30	B30
35	Z35	A35	B35
40	Z40	A40	B40
45	Z45	A45	B45
50	Z50	A50	B50
55	Z55	A55	B55
60	Z60	A60	B60

◆ STANDARD SIZE, MAX. PERMISSIBLE RIPPLE CURRENT

Cap(μF)	WV φD	160					200					
		φ20		φ22		φ25	φ20		φ22		φ25	
270							20x30	0.97				
330	20x30	1.02					20x35	1.17	22x30	1.20		
390	20x35	1.15	22x30	1.17			20x40	1.27	22x35	1.30		
470	20x40	1.25	22x30	1.28			20x45	1.41	22x40	1.44		
560	20x45	1.42	22x35	1.45			20x55	1.56	22x45	1.60	25x35	1.60
680	20x50	1.60	22x40	1.64	25x35	1.70	20x60	1.71	22x50	1.75	25x40	1.76
820	20x55	1.81	22x45	1.85	25x40	1.92			22x60	2.10	25x45	2.10
1000			22x55	2.10	25x45	2.17					25x50	2.36
1200					25x50	2.43						
1500					25x60	2.62						

Cap(μF)	WV φD	250					400					
		φ20		φ22		φ25	φ20		φ22		φ25	
68							20x30	0.48				
82							20x30	0.54				
100							20x35	0.60	22x30	0.62		
120							20x40	0.71	22x35	0.73		
150							20x45	0.83	22x40	0.85	25x35	0.85
180	20x30	0.82					20x55	0.93	22x45	0.95	25x35	0.92
220	20x35	0.95	22x30	0.97					22x50	1.08	25x40	1.05
270	20x40	1.08	22x35	1.11					22x60	1.20	25x50	1.29
330	20x45	1.23	22x40	1.26							25x60	1.41
390	20x50	1.38	22x45	1.41	25x35	1.42						
470	20x60	1.54	22x50	1.58	25x40	1.61						
560			22x55	1.80	25x45	1.80						
680					25x50	2.03						
820					25x60	2.26						

↑ ↑
Ripple Current A r.m.s./120Hz·105°C
Case Size φD^{±1}×L^{±2}(mm)

◆ MULTIPLIER FOR RIPPLE CURRENT

(1) Temperature coefficient

Ambient Temperature (°C)	105	85	65≥
Coefficient	1.0	1.7	2.1

(2) Frequency coefficient

Frequency (Hz)		60	120	500	1k	10k≤
Coefficient	160~250WV	0.80	1.00	1.10	1.14	1.18
	315~400WV	0.80	1.00	1.05	1.10	1.15

LPHR SERIES
Miniaturized, High Ripple Current, Snap-in Terminal Type
◆ FEATURES

- Load Life : 105°C 2000 hours.
- Developed for cutting of direct current in the horizontal deflection circuit of CRT display and projector.

◆ SPECIFICATIONS

- Temperature Range : -25~+105°C
- Rated Voltage Range : 200~350WV
- Capacitance Range : 22~56μF
- Ripple Current : 8~18Ap-p/10~100kHz

*Please consult our sales department for details of LPHR series.